



versatile & secure electronic lockers

for shift employees and
shared locker applications



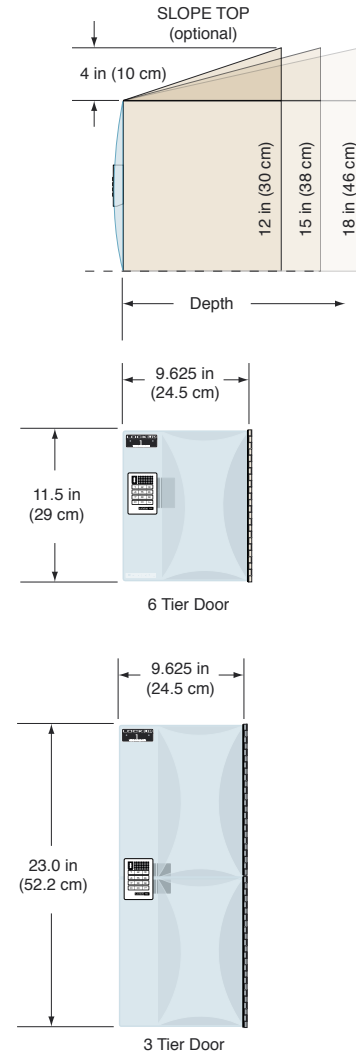
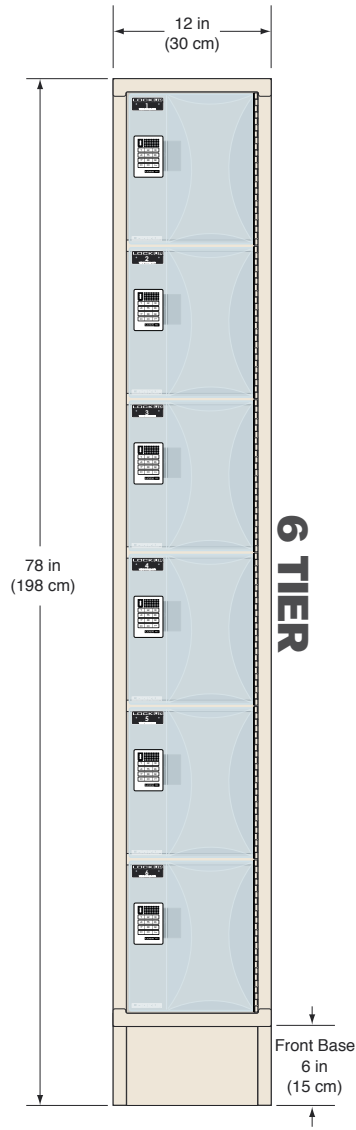
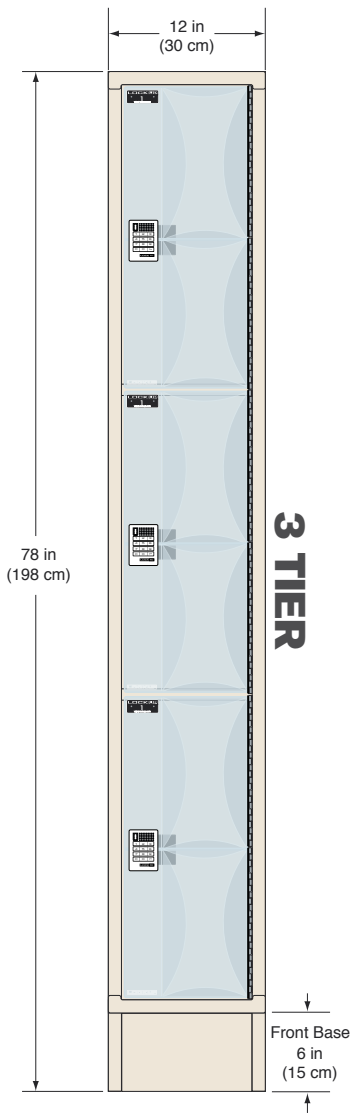
Electronic Lock Features

- Solid metal housing with integral pull
- Solenoid bolt - no cam to turn
- Keypad operation
- Programmable auto unlock
- Visual & audible indicators
- Electronic Manager Key for audit, access, and external power
- Internet-enabled locks
- Powered by 2 premium 9-volt batteries
- 3-5 year battery life
- Optional User Key for ADA compliance

Locker Features

- Polycarbonate doors
- Rugged steel construction
- 1 or 3 wide configuration
- 1, 2, 3, or 6 tier
- 12, 15, or 18 inch deep
- Closed base on legs included
- Optional slope top
- Continuous hinge
- Ships fully assembled





Standard Colors:



Lockers provided with:

- 16 gauge frame and doors
- 24 gauge body
- Number plates
- Closed base on legs
- Locks from LockUp® by Digilock®



Locks from LockUp® by Digilock® with integral pull handle operated with a User Key are fully compliant with the Americans with Disabilities Act (ADA) guidelines set by the U.S. Access Board.

