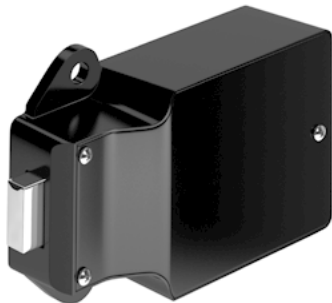


# E/Ex Function

Designed for shift-based applications, LockUp E & Ex locks operate in shared use functionality to secure day use lockers with simplified key management and features.



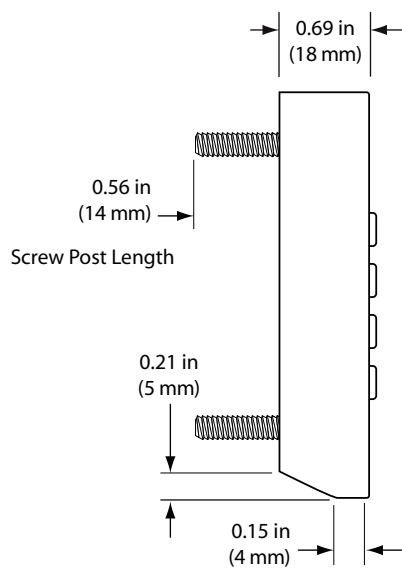
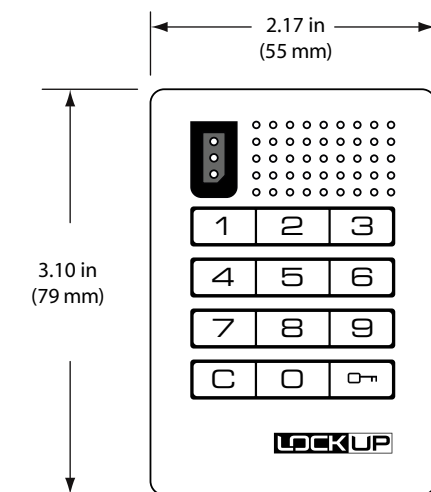
- Solid metal housing with integrated pull handle
- Keypad operation
- Programmable auto unlock (E model only)
- Visual & audible indicators
- Electronic Manager Key for audit, access, and external power
- Internet-enabled locks
- Optional User Key for ADA compliance
- Powered by 2 premium 9-volt batteries
- 3-5 year battery life
- 2 year warranty



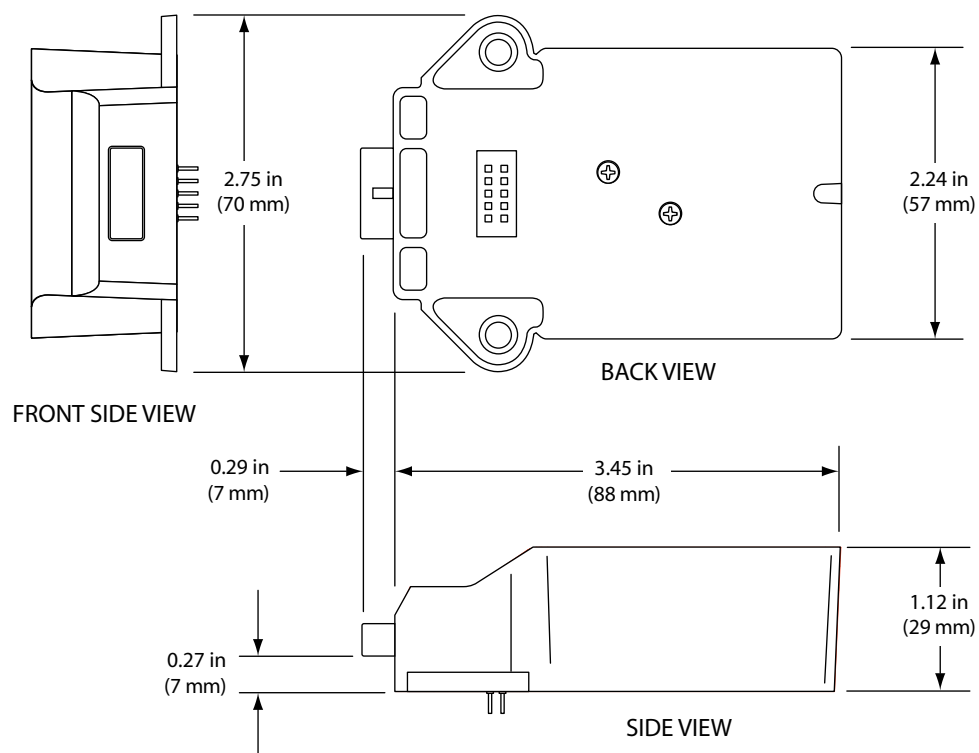
- Surface mount
- Non-handed
- 3/8" solenoid bolt locking mechanism
- Tamper guard

Features

## Front Unit



## Rear Unit



Standard Keypad locks with a pull handle and operated with a User Key are fully compliant with the Americans with Disabilities Act (ADA) guidelines set by the U.S. Access Board.

