

# E/Ex Function

Designed for shift-based applications, LockUp E & Ex locks operate in shared use functionality to secure day use lockers with simplified key management and features.



- Keypad operation
- Key Managed
- Shared Use Functionality
- All metal housing with integrated pull handle
- Brushed nickel finish
- Surface mount
- Designed to install onto Lockup lockers
- Visual & audible indicators

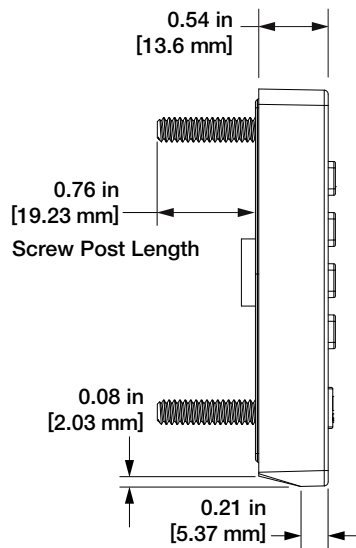
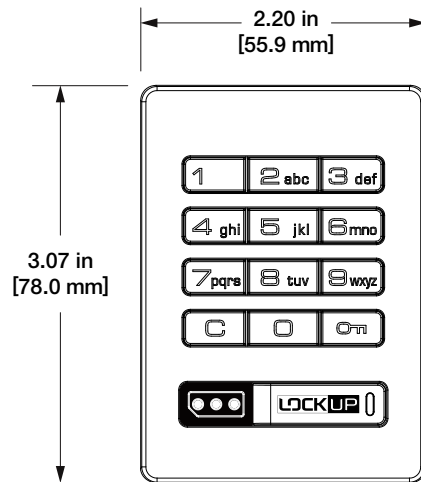
Keypad



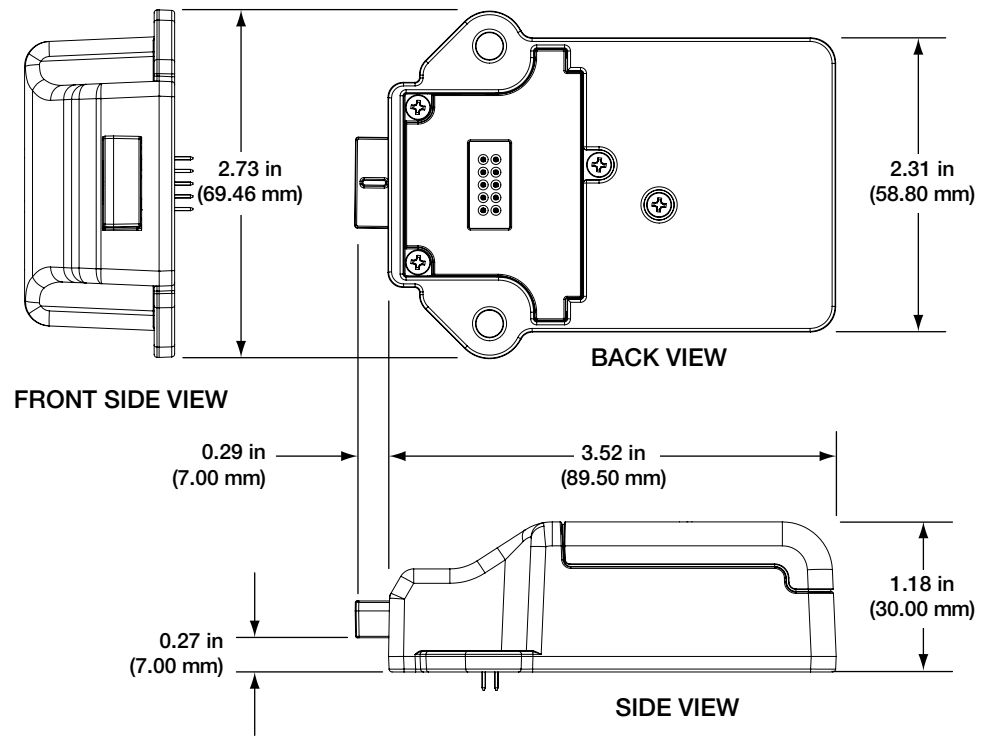
Features

- Non-handed
- 3/8" solenoid bolt locking mechanism
- Powered by two premium alkaline 9 V batteries
- Two year warranty

## Front Unit



## Rear Unit



Standard Keypad locks with a pull handle and operated with a User Key are fully compliant with the Americans with Disabilities Act (ADA) guidelines set by the U.S. Access Board.

