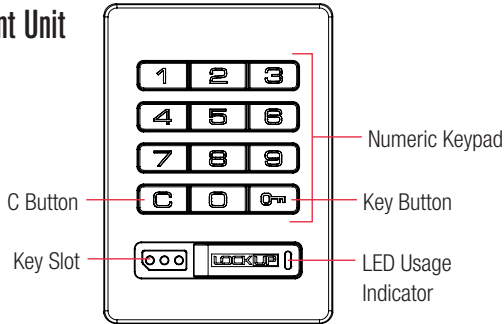


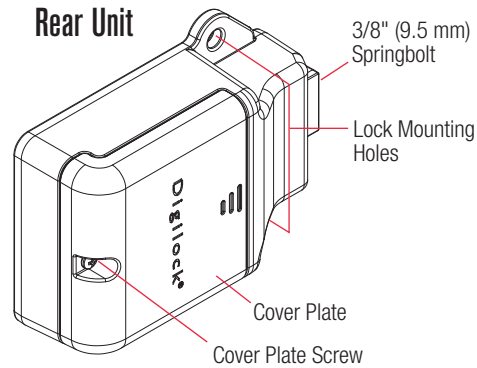
LockUp E/Ex is a keypad lock designed for LockUp lockers in shared use applications. The user chooses an available locker then enters a self-selected 4-digit code to lock and unlock. Once unlocked, the locker is available for a different user. Management staff uses Manager Flex Key(s) for locker access and audit/inspection.

Lock Parts

Front Unit



Rear Unit



Keys



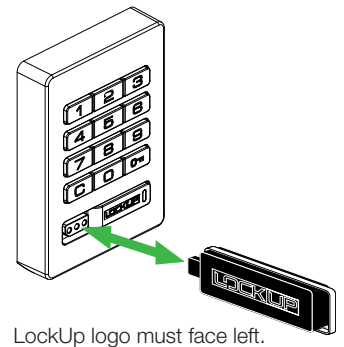
User Key



Manager Key

Operates the lock	•	•
Overrides user access		•
Allows management inspection		•
Provides external power		•

Key Insertion



Programming Instructions

Initial Setup

LockUp locks may arrive set up to operate with registered Manager Flex Key(s). If the lock operates by pressing **C** **O**, the lock must be set up to allow full operation.

- Go to the lock requiring setup.
- Make sure the locker door is open and the lock is in the unlocked position (bolt is retracted).
- Touch the Manager Flex Key to the key slot until a two-tone beep is heard and the bolt extends.
- Touch the Manager Flex Key to the key slot again to retract the bolt.