



WWW.LOCKUP.COM

FUNCTIONAL D LOCK

Dual Use Functionality
Keypad Lock



FEATURES

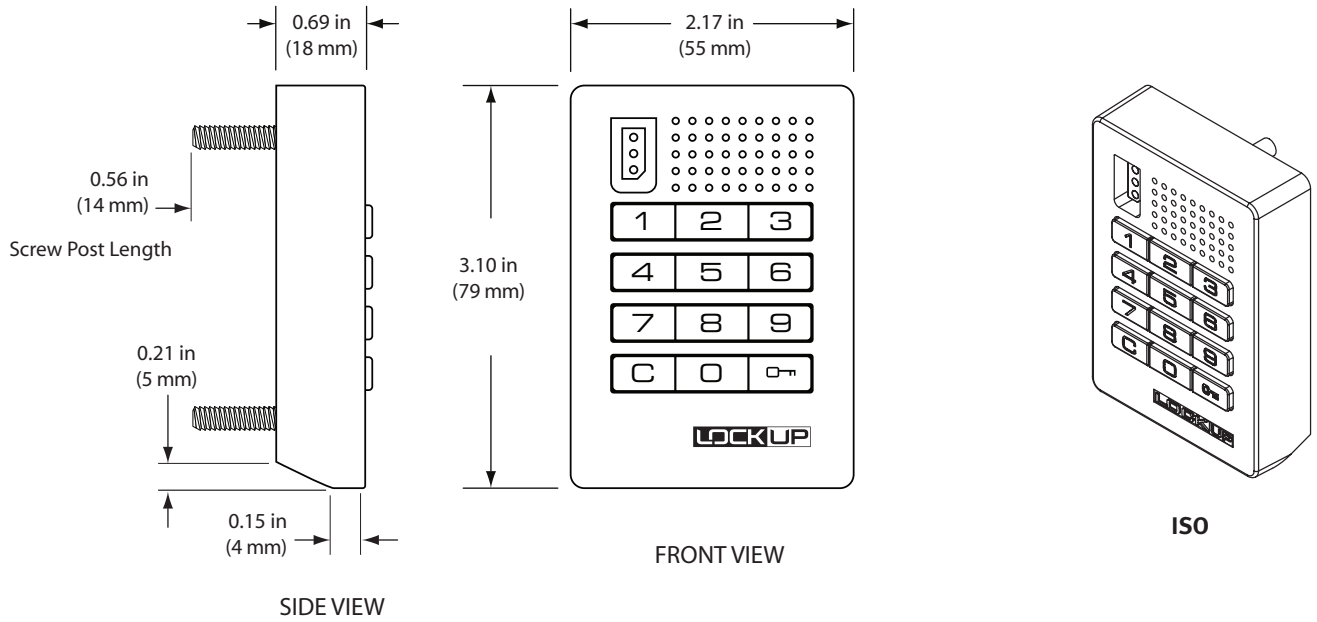
- Solid metal housing with integrated pull
- Surface mount
- 3/8" bolt
- Tamper guard
- Keypad operation
- Operates with a 4-digit user code
- Visual & audible indicators
- Shared or assigned use
- Powered by 2 premium 9-volt batteries
- 3-5 year battery life



100% ADA Compliant, LockUp fully complies with the Americans with Disabilities Act.

DRAWINGS & DIMENSIONS

FRONT UNIT - WITH SCREW POST



REAR UNIT - SPRING BOLT

