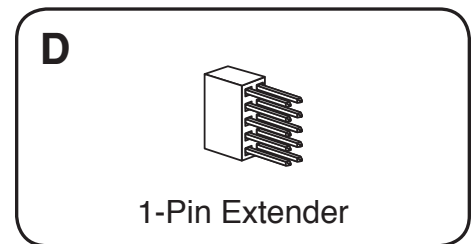
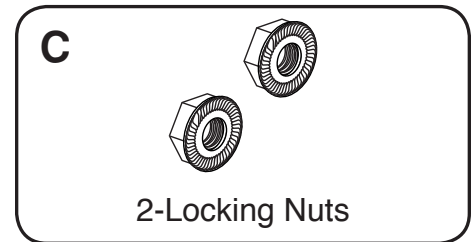
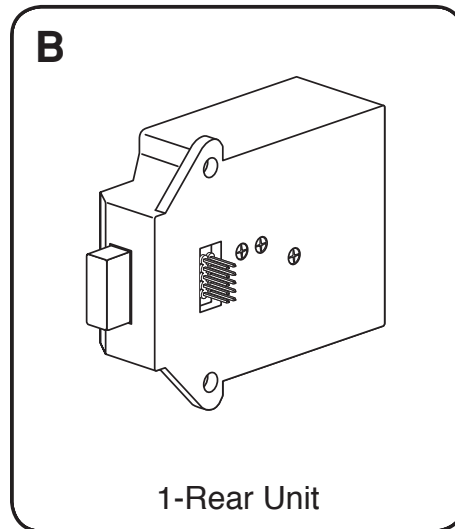
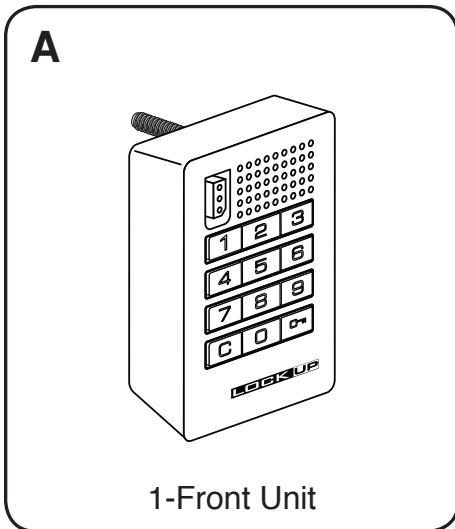




Quick Installation Guide - Wood Door

SURFACE MOUNT WOOD DOOR INSTALLATION PARTS



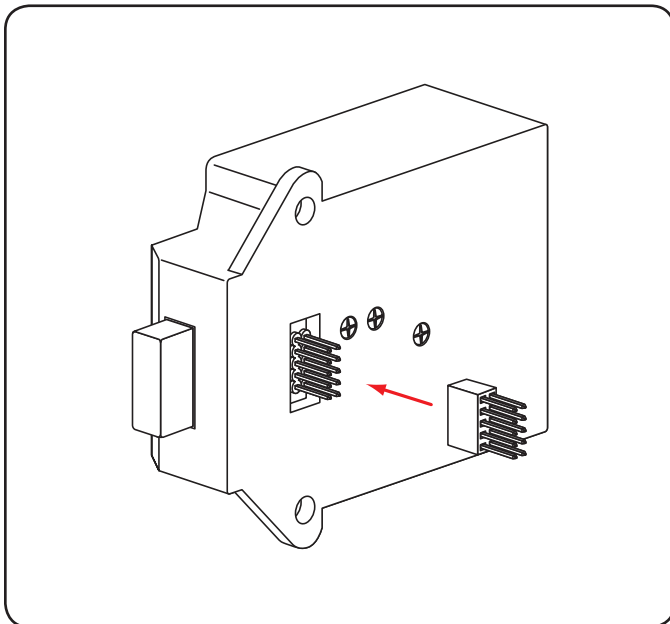
REQUIRED TOOLS



3/8" Socket
(deep socket required)

SURFACE MOUNT WOOD DOOR INSTALLATION STEPS

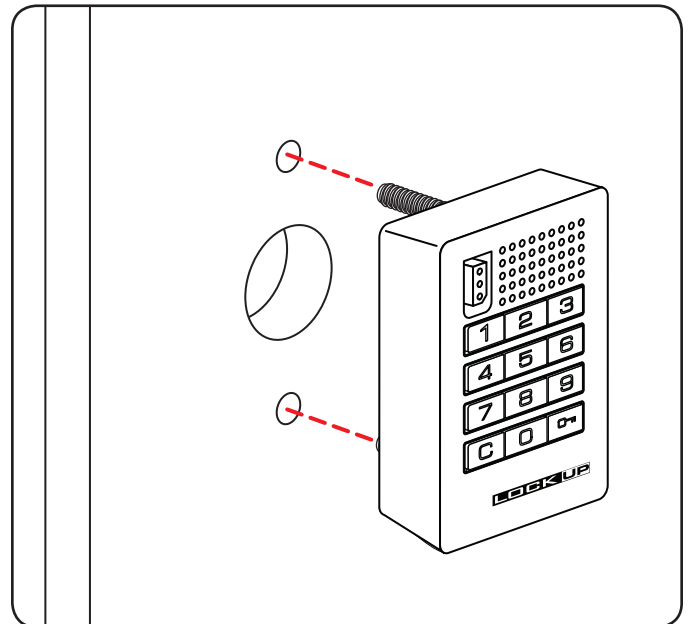
STEP 1



Place the pin extender (D) on the connector pins of the rear unit (B).

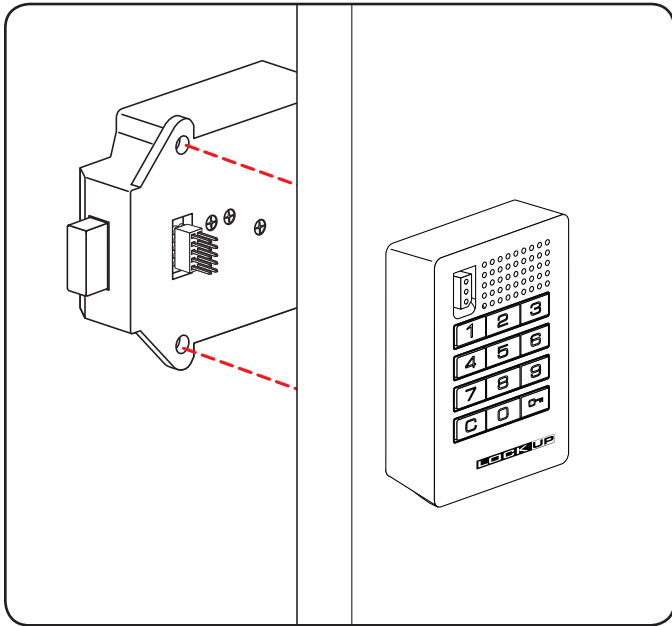
NOTE: Do not touch the rear unit connector pins (male connector) against any metal or other conductive surfaces. This may short the pins and cause damage to the lock.

STEP 2



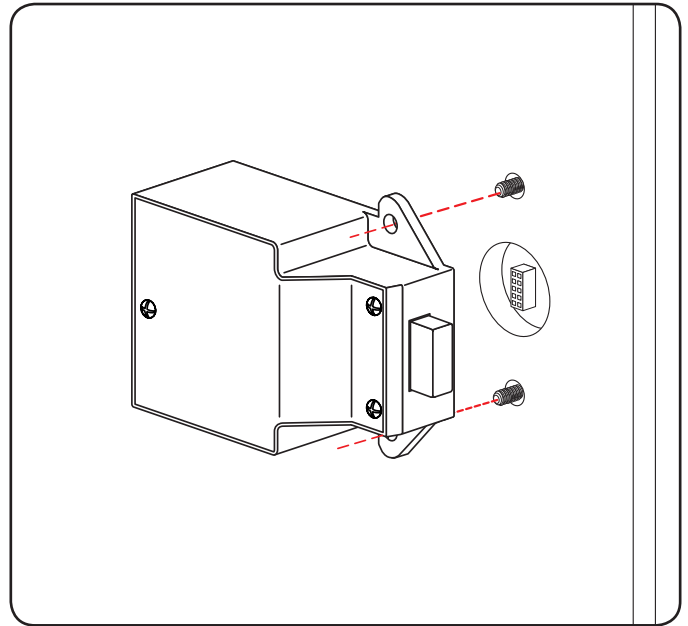
Place the mounting screw posts of the front unit (A) through the lock mounting holes on the front of the door.

STEP 3



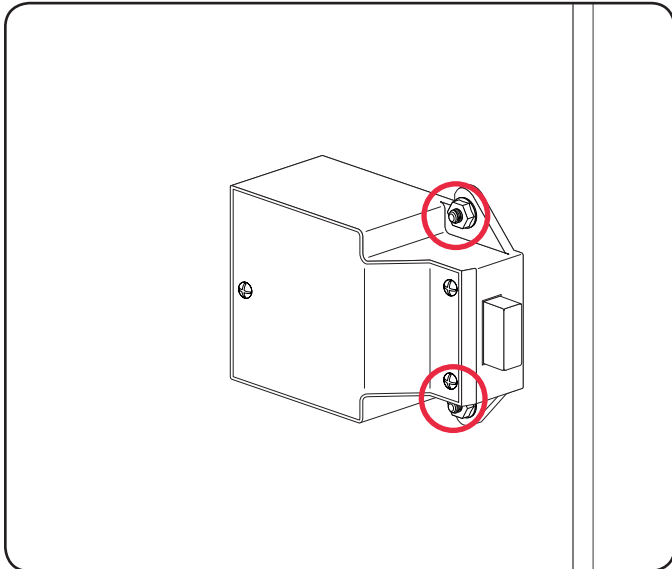
While holding the front unit (A) against the front of the door, place the rear unit (B) against the rear face of the door. Align the mounting holes with the mounting screw posts from the front unit (A).

STEP 4



Slide the front unit (A) and rear unit (B) together making sure that the pins of the rear unit align with the front unit (A) connector.

STEP 5



Place the locking nuts (C) over the mounting screws and tighten to secure the lock to the door.

NOTE: An audible triple beep and three flashes of the LED light indicate that the lock was connected properly. If you do not hear these beeps, separate the units, press the "C" button on the keypad and reconnect the front and rear units on the door.

STEP 6

Test the operation several times (as indicated below) while the door is open. Close the door and test the unit again. Make sure there is no binding between the bolt/latch and the door strike plate and/or frame. Adjust alignment if necessary.

To lock and unlock enter: **C** then **0π**

NOTE: If during operation of the lock, the lock emits 10 rapid beeps and 10 flashes of the LED light, it is an indicator that the bolt/latch of the lock is binding with the door strike plate and/or frame. If this occurs, the door and/or strike plate may need to be aligned or adjusted. It may also be an indicator that the locking nuts are over tightened on the screw posts (Step 5).

For additional product information including instructional videos **please visit us online at:** www.lockup.com

Via email: support@lockup.com

Phone: (707) 766-6000

Toll-Free Phone: (800) 590-0984 (US only)

Fax: (707) 766-6226

Toll-Free Fax: (800) 989-4221 (US only)

LockUp

9 Willowbrook Court
Petaluma, CA 94954