



MULTI BANK LOCKER ASSEMBLY & WALL MOUNTING

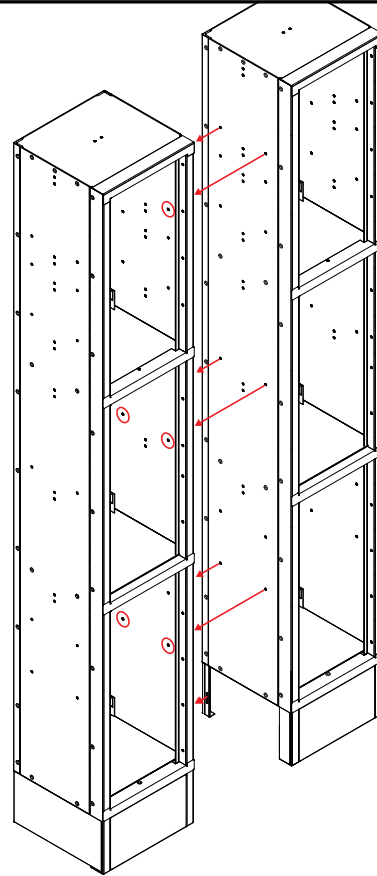
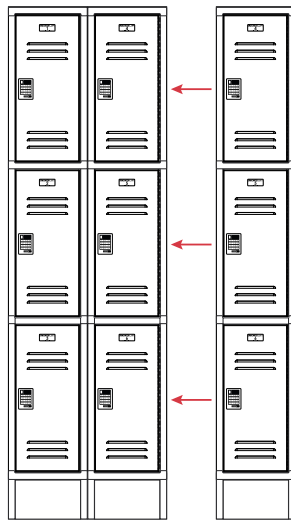
Note: Image is for demonstration purposes, the illustrated locker model below may differ.

MULTI BANK LOCKER ASSEMBLY

- 1) Place 2 single wide lockers side-by-side on a level surface
- 2) Use the available corresponding hardware openings to join two or more single bank lockers as indicated below.

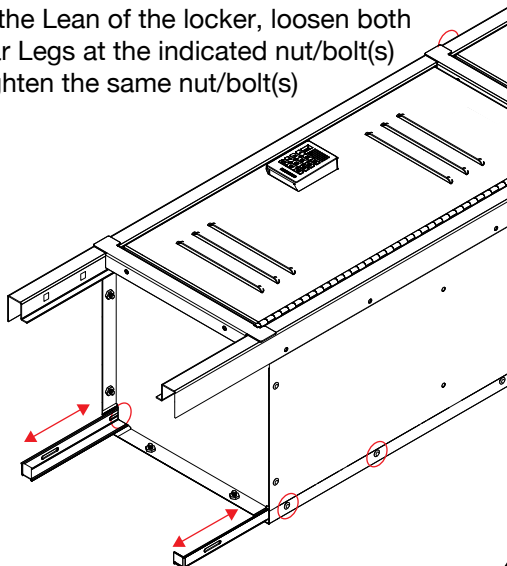
Note: Depending on the model or number of shelves the available holes may vary.

- 3) Repeat steps 1-2 for each additional bank of locker(s).



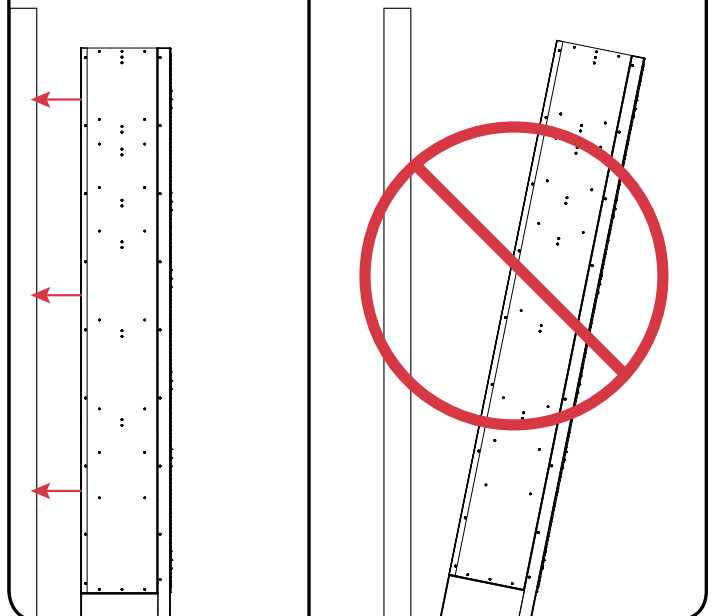
Rear Leg Level Adjustment

- A) To adjust the Tilt of the locker, loosen one of the Rear Leg at the indicated nut/bolt(s) then re-tighten the same nut/bolt(s)
- B) To adjust the Lean of the locker, loosen both of the Rear Legs at the indicated nut/bolt(s) then re-tighten the same nut/bolt(s)



SECURING LOCKER TO WALL

Use any available Back Panel openings to secure the locker(s) to the wall.





WARRANTY

LIMITED WARRANTY

Security People, Inc., dba Digilock (the "Company") warrants to the original purchaser the products manufactured by the Company (the "Product") to be free of defects in material and workmanship, provided: (i) The Company has been notified of such defects within two years of purchase date and been given the opportunity of inspection by return of any alleged defective Product to the Company, or its authorized distributor, free and clear of all liens and encumbrances, transportation prepaid, accompanied by the statement of defects and proof of purchase; and (ii) the Product has not been modified, abused, misused, or improperly installed, maintained, and/or repaired during such period; and (iii) such defect has not been caused by corrosion, exposure to moisture, or ordinary wear and tear. Digilock lock products are not designed or intended for exterior use or where exposed to moisture. Any exterior use where exposed to moisture is not covered by any warranties and voids any warranties. Any resulting damaged caused by direct exterior exposure or moisture is at the purchasers own risk.

This warranty does not cover any labor costs for installation, removal and/or re-installation of the product being serviced or replaced under warranty. This warranty is strictly limited to product repair or replacement. This warranty does not cover batteries, normal wear of parts and/or damage resulting from any of the following: improper installation, negligent use or misuse of the product, use of improper voltage or current, use contrary to operating instructions, and/or disassembly, repair or alteration by any person other than the Company service personnel.

The Company will not evaluate warranted product without first obtaining a Return Merchandise Authorization (RMA) number from the Company. Such returns must be prominently marked with the Return Merchandise Authorization number and shipped prepaid (return shipping is the responsibility of the end-user). Under no circumstance is the Company liable for incidental or consequential damages. The Company makes no other warranty, and all implied warranties including any warranty of merchantability or fitness for a particular purpose are limited to the duration of the expressed warranty period as set forth above.

LIMIT ON LIABILITY

The Company's maximum liability for any damages resulting from or caused by the Product, whether in contract, tort, or otherwise is limited to the purchase price of the Product. In no event shall the company be liable for any incidental or consequential damages of any nature arising from the sale or use of this Product, whether in contract, tort, or otherwise by either use or purchase of the Product the user or purchaser agrees to this limit on the company's liability.

Note: Should the Product be considered a consumer product as may be covered by the Magnusson Moss Federal Warranty Act, please be advised that: (1) some states do not allow limitations on incidental or consequential damages or how long an implied warranty lasts so that the above limitations may not fully apply; (2) this warranty gives specific legal rights, and a buyer may also have other rights which may vary from state to state. For warranty service and shipping instructions, contact the Company. The Company reserves the right to make changes in designs and specifications or to make additions or improvements on its products without notice and without incurring any obligation to incorporate them on products previously manufactured. The Company, is not responsible for any modification, addition or alteration to our products by others.

Purchaser agrees to indemnify and hold Company harmless from all claims causes of actions, lawsuits, administrative actions, and damages (except as covered by the express limited warranty as set forth above) including reasonable attorney fees and costs arising out of or pertaining to the Product.

9 WILLOWBROOK COURT
PETALUMA • CA 94954 • USA

PHONE: 707. 766.6000
FAX: 707. 766.6226



PRINTED ON RECYCLED PAPER

WWW.LOCKUP.COM